

# Suntronic's Direct Sunlight Outdoor LCD

55" LCD High surface Temp prevents Isotropic blackout  
Water/Dust/Rain Roof 2500nits Daylight Readable Rugged  
LCD 5F to 140F/-15C to 60C

## U5500L1

### FEATURES:

- 2500nits Completely Direct Sunlight Viewable IP65/NEMA4 Vandal Resistant Enclosures (5 sides)
- LCD High Surface Temp prevents isotropic blackout
- Circular polarized light enable through polarized sunglasses
- Built-in Waterproof Speakers 10Watts x 2
- Air Curtain cooling design and Automatic Thermostatic cut off.
- Optional Integrated Touch screen, Computer, Heater, Portrait mode and CAT5 Video Extender

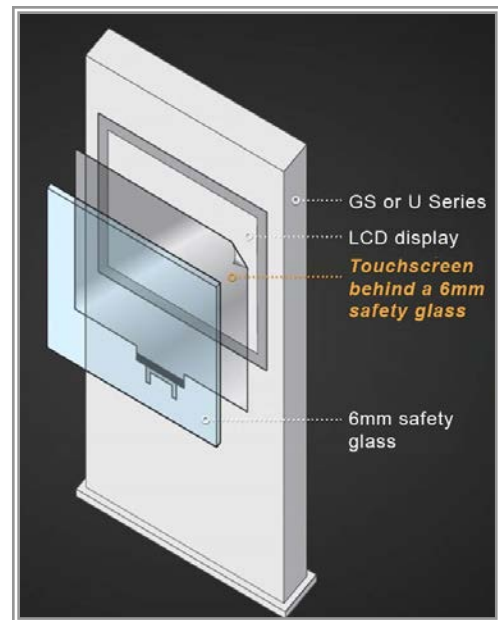
### SPECIFICATIONS:

|                          |  |
|--------------------------|--|
| Display Size:            | 55" TFT-LCD  |
| Resolution Capabilities: | 1920 x 1080 Full HD  |
| Frame Rate               | 60HZ   |
| Response Time:           | 8ms typical  |
| Viewing Angle:           | 178/178  |
| Contrast Ratio:          | 4000 :1  |
| Brightness:              | 2500 cd/m <sup>2</sup> , Completely Daylight Viewable  |
| Orientation              | Landscape Mode   |
| Backlight MTBF:          | 60,000 Hours Typical   |
| Colors Supported:        | 10 bit 1.07 Billion  |
| Video Interface:         | VGA, HDMI , Min Display Port   |
| Audio Out:               | 3.5mm Audio output   |
| Speaker:                 | Included 10Watts x 2   |
| Power Source:            | AC 110V 60Hz   |
| Power Consumption:       | 460 Watt for complete monitor  |
| Temperature:             | <b>Operating: -15° to 60°C (5F to 140F)</b><br>(Optional heater reach to -22F/-30C)<br>Storage: -30° to 60°C |
| Humidity:                | Operating: 5 to 90% NC Storage: 5 to 95% NC  |
| Dimensions:              | 53.7" (w) x 32.5" (h) x 6.6" (d)<br>1362mm x 825mm x 165.44mm  |
| Weight                   | 145lbs /66kg   |
| IP Rating:               | Enclosures IP65/NEMA4 (Except Bottom is IP54)  |
| RS232:                   | Yes Control via command code   |
| Mount Pattern            | 800 x 500  |

### GS and U Series Touch screen Options

Laminate the touch foil behind a safety glass the glass and integrate into our GS or U Series.

Fitting behind the glass to create a vandal and weather proof touch solution. Ideal for outside enclosures.



|                     |  |
|---------------------|--|
| Glass               | 6mm laminated Safety AR coating  |
| Auto Power On/Off:  | Yes  |
| Auto Signal On/Off: | Yes  |
| Options:            | IR Touch screen/ Projective Capacitive Touch/ Wide Temp PC/ CAT5 Video Extender/portrait mode/Stainless steel Enclosures |
| Warranty:           | <b>Return to Depot Warranty1 year</b>  |



#### High Quality Parts

Our company uses only the best, using only High Quality parts along with components in USA or imported from Korea, Taiwan and Germany, for quality that you can trust!



#### Customer Service

Our customer service reps are here to help you with your Outdoor LCD sign. From general questions to technical support, we leave you feeling completely satisfied.

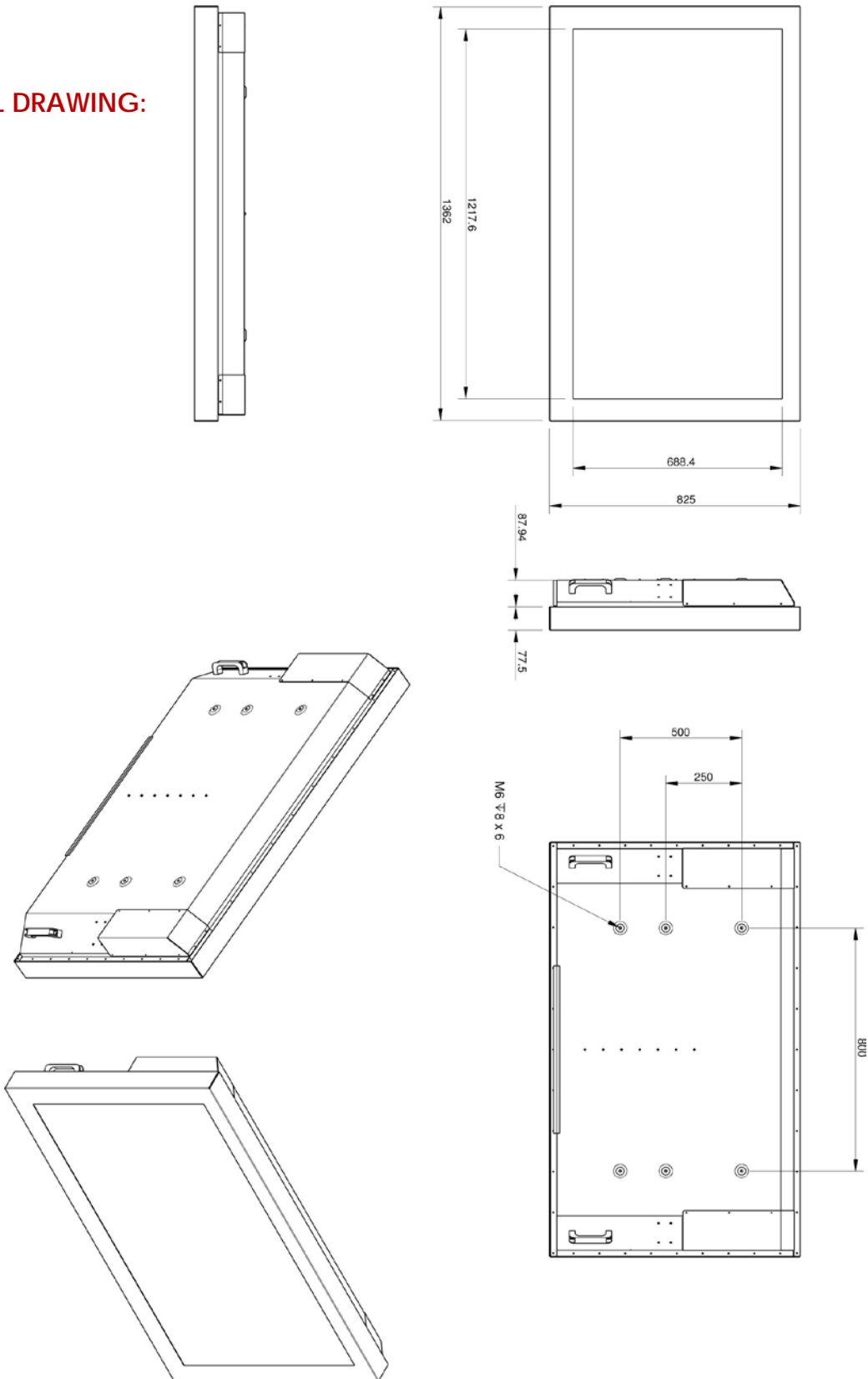


#### US Manufactured

Our Outdoor LCD Signs are assembled, tested and shipped from our very own factory in USA, giving us the ability to customize signs to your needs.



**MECHANICAL DRAWING:**



**High Quality Parts**

Our company uses only the best, using only High Quality parts along with components in USA or imported from Korea, Taiwan and Germany, for quality that you can trust!



**Customer Service**

Our customer service reps are here to help you with your Outdoor LCD sign. From general questions to technical support, we leave you feeling completely satisfied.



**US Manufactured**

Our Outdoor LCD Signs are assembled, tested and shipped from our very own factory in USA, giving us the ability to customize signs to your needs.

