

SUNTRONIC'S DIRECT SUNLIGHT OUTDOOR LCD

All Aluminum Enclosures Fully Work under Direct Sunlight
46" (Landscape Mode) High Brightness LCD Metal Enclosures
IP65 front and Back, IP54 Bottom
1500nits / High TNi

U4600L2

GS AND U SERIES TOUCH SCREEN OPTIONS

Laminate the touch foil behind a safety glass the glass and integrate into our GS or U Series.

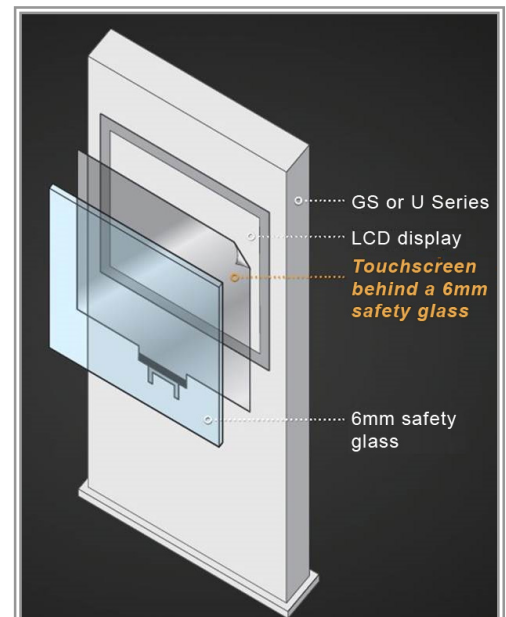
Fitting behind the glass to create a vandal and weather proof touch solution. Ideal for outside enclosures.

FEATURES:

- 46" Industrial Panel / 1920x1080 / 1500nits / High TNi
- Aluminum enclosures with Fan and filter / Front IP65, Bottom IP54 / Wall Mount
- 3mm AR glass + 3M Rejection film / Eye Bolt x 2EA
- Air curtain design inside / Environmental board installation inside to reduce brightness 30% when inside Temp Reach at 50C
- Speakers / Bottom filter plate
- Light Sensor (Front / Bottom center)
- Painted Color: Front bezel: Black, Rear Enclosures: light gray color (RAL 7035)
- Operation Temp.: 0C to 50C
- I/O (Normal Type): VGA, HDMI, RS232 (for remote control use) and 100-240VAC power cord
- Added thermal pad / insulation sheet inside the back enclosures cover
- Blanket heater (510W / 230VAC) / Temp. Controller (5C/ON,15C/OFF) / Heater ON_OFF power switch / Operation Temp.: -15C to 50C
- NO Sun Shield
- Remote Controller
- Front Bezel Black and Rear Cover is light Grey color Painted color : Front bezel : black, Rear enclosures : light gray color (RAL 7035)
- RS232 command code for remote control

SPECIFICATIONS:

Display Size:	46 Inch TFT-LCD
Resolution	1920 x 1080 Full HD
Capabilities:	60Hz
Frame Rate:	
Active Area	40.17" L x 22.62" H
Response Time:	8ms typical
Viewing Angle:	178°/178°
Contrast Ratio:	4000 :1
Brightness:	1500 cd/m², Completely Daylight Viewable
Orientation:	Landscape Mode
Backlight:	60,000 Hours Typical
Colors Supported:	10bit 1.07 Billion
Interface:	VGA, HDMI, RS232 (for remote control use)
Audio Out:	3.5mm Audio output
Speaker:	Included 10Watts x 2
Power Source:	100-240VAC power cord
Temperature:	Operating: -15° to 50°C (5F to 122F) (with Heater) Storage: -30° to 60°C
Humidity:	Operating: 5 to 90% NC Storage: 5 to 95% NC
Unit Dimensions:	45.1" Lx28.68" Hx6.14" D
Net Weight	100lbs
IP Rating:	Enclosures IP65/NEMA4 (Except Bottom is IP54)
RS232:	RS232 command code for remote control
VESA Mount:	600 x 300 x 400



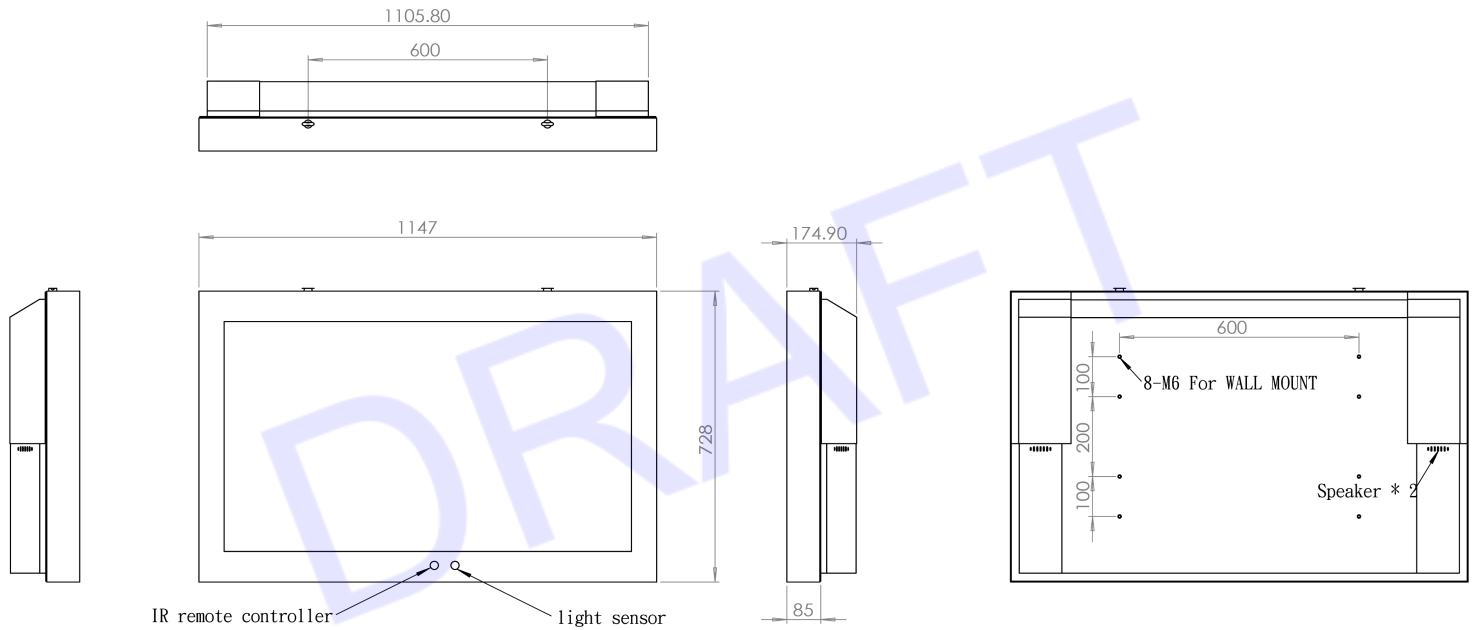
Glass:	3mm Tempered AR Coating Glass
Auto Power On/Off:	Yes
Auto Signal On/Off:	Yes
Options:	IR Touch screen/ Projective Capacitive Touch/ Wide Temp PC/ CAT5 Video Extender/portrait mode/Stainless steel Enclosures
Life time	Life time 60K hours, operating Time 24 hours/Per day
Anti Shock	Anti Shock 30G
Anti Vibration	Anti Vibration 1G (2-200Hz)
Warranty:	One(1) Year Return to Depot Warranty

****Remarks: L for Landscape and P for portrait**

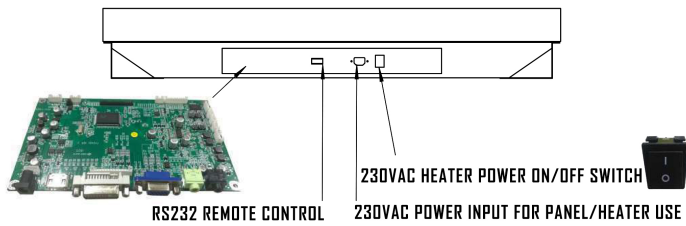


MECHANICAL DRAWING:

This is subject to change without Notice. Final Drawings Will be Provided for Approval after Order.



Drawing No.: U46000L2-10232025-V3



Max. 790W included of Heater 510W / 230VAC Power ON.

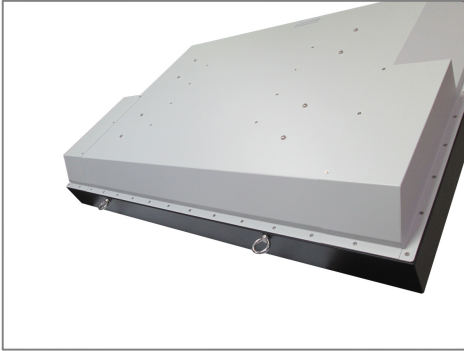
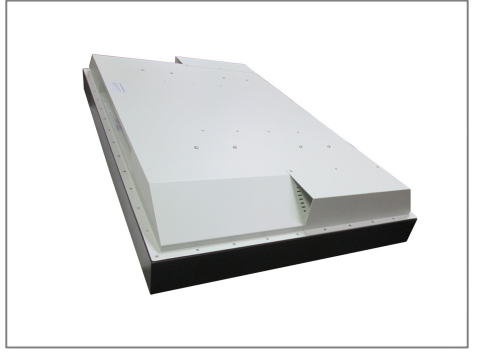
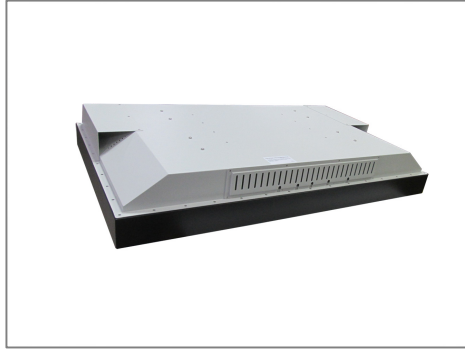
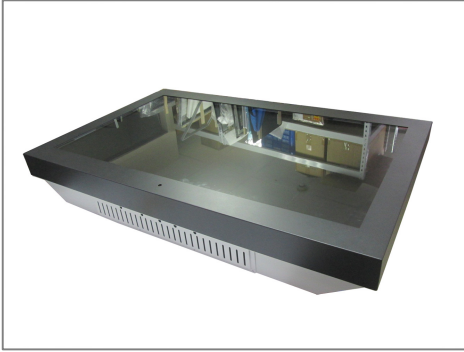


TURN ON Light Sensor (Light sensor is Default Off)



Turn on Auto light sensor with IR remote control

ACTUAL PICTURES:



Reference: SO 121172b | Model: U4600L2